

PARTS LIST

[FS-SD5/FS-SD7/FS-SD9]

* All printed circuit boards and its assemblies are not available as service parts.

Area Suffix

UT ----- Taiwan

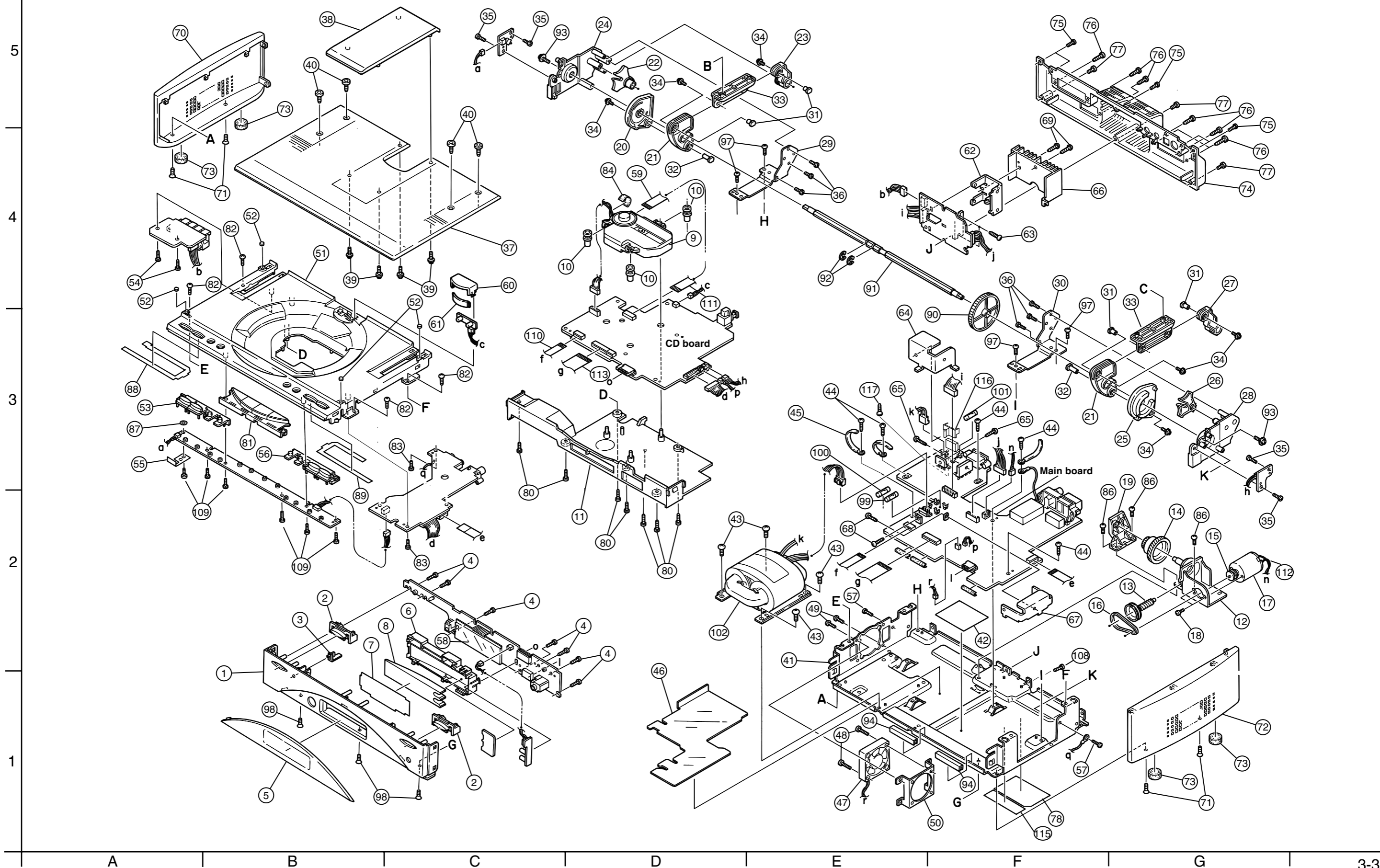
- Contents -

Exploded view of general assembly and parts list	3- 3
Electrical parts list	3- 6
Packing materials and accessories parts list	3-13

< MEMO >

Exploded view of general assembly and parts list

Block No. M 1 M M



■ Parts list(General assembly)

Block No. M1MM

△	Item	Parts number	Parts name	Q'ty	Description	Area
	1	LV10325-003A	FRONT PANEL	1	FS-SD9	
		LV10325-001A	FRONT PANEL	1	FS-SD5/SD7	
	2	LV31677-201A	PUSH BUTTON 1	2	ABS/PLATING	
	3	LV41520-001A	INDICATOR	1	STANDBY LED	
	4	QYSDSF2608Z	SCREW	7	FRONT+SW PWB+BT	
	5	LV31678-004A	LENS	1	FS-SD9	
		LV31678-002A	LENS	1	FS-SD5/SD7	
	6	LV31679-001A	LCD CASE	1	ABS	
	7	LV41519-001A	SHEET	1	LCD FILTER	
	8	LV31680-001A	REFLECTOR	1	PMMA/MILKY	
	9	KSM-770ABA	CD MECHA	1	CD MECHA	
	10	LV40770-002A	INSULATOR	3		
	11	LV10326-002A	CD CHASSIS	1	MIPS	
	12	LV31687-001A	MOTOR BASE	1	ABS	
	13	LV41522-001A	WORM GEAR	1	POM	
	14	LV41523-001A	WORM WHEEL	1	POM	
	15	LV41536-001A	PULLEY	1	POM	
	16	LV41598-001A	BELT	1		
	17	QAR0100-001	DC MOTOR	1		
	18	QYSPSP3004Z	SCREW	2	DC MOTOR+M.BASE	
	19	LV31688-001A	WHEEL STOPPER	1	ABS	
	20	LV31691-001A	G.WHEEL(L)	1	POM	
	21	LV31690-002A	ARM	2	ABS	
	22	LV31693-001A	G.GEAR(L)	1	PBT	
	23	LV31695-002A	ARM GEAR(L)	1	FS-SD9	
		LV31695-001A	ARM GEAR(L)	1	FS-SD5/SD7	
	24	LV31697-002A	GEAR BASE(L)	1	PBT	
	25	LV31692-001A	G.WHEEL(R)	1	POM	
	26	LV31694-001A	G.GEAR(R)	1	PBT	
	27	LV31696-002A	ARM GEAR(R)	1	FS-SD9	
		LV31696-001A	ARM GEAR(R)	1	FS-SD5/SD7	
	28	LV31698-002A	GEAR BASE(R)	1	PBT	
	29	LV32127-001A	GEAR BKT(L)	1	EGC T1	
	30	LV32128-001A	GEAR BKT(R)	1	EGC T1	
	31	LV41929-001A	SHAFT 4	4	FS-SD5/SD7	
		LV41929-002A	SHAFT 4	4	FS-SD9	
	32	LV41930-002A	SHAFT 5	1	FS-SD9	
		LV41930-001A	SHAFT 5	2	FS-SD5/SD7	
	33	LV31701-002A	DOOR BASE	2	FS-SD9	
		LV31701-001A	DOOR BASE	1	FS-SD5/SD7	
	34	QYSPSFG2605N	SCREW	6	DOOR BASE+ARM	
	35	QYSDSF2606Z	SCREW	4	SW.PWB+G.BASE	
	36	QYSDSF2606Z	SCREW	6	G.BKT+G.BASE	
	37	LV10328-003A	CD DOOR	1	FS-SD5/SD7	
		LV10328-004A	CD DOOR	1	FS-SD9	
	38	LV31702-002A	DOOR COVER	1	FS-SD5	
		LV31702-004A	DOOR COVER	1	FS-SD7	
		LV31702-006A	DOOR COVER	1	FS-SD9	

■ Parts list(General assembly)

Block No. M1MM

△	Item	Parts number	Parts name	Q'ty	Description	Area
	39	LV41758-001A	CUSTOM SCREW	4	D.C.BKT+D.COVER	
	40	LV41587-001A	SPECIAL SCREW	4	CD DOOR+D.BASE	
	41	LV10329-001A	BOTTOM CHASSIS	1	EGC T1.0	
	42	LV30064-068A	SPACER	1		
	43	QYSBST4006Z	T.SCREW	4	BOTTOM.C+TRANS	
	44	QYSBST3006Z	T.SCREW	5	BOTTOM+MAIN PWB	
	45	VKZ4001-110	WIRE HOLDER	1		
	46	LV31901-002A	BURRER	1	BETW.AC&BTM	
	47	QAR0148-001	FAN MOTOR	1		
	48	QYSPST3012Z	T.SCREW	2		
	49	QYSBST3006Z	T.SCREW	2		
	50	LV41799-001A	FAN BRACKET	1		
	51	LV10327-001A	TOP PANEL	1	FS-SD5/SD7	
		LV10327-003A	TOP PANEL	1	FS-SD9	
	52	LV41821-002A	FELT	4	FS-SD9	
		LV41821-001A	FELT	4	FS-SD5/SD7	
	53	LV31681-201A	PUSH BUTTON 3	1	ABS/PLATING	
	54	QYSDSF2608Z	SCREW	2	P.BTN3+PWB+TOP	
	55	LV41828-001A	PROTECTOR	1		
	56	LV31682-201A	PUSH BUTTON 2	1	ABS/PLATINGR	
	57	QYSDSF2608Z	SCREW	2	P.BTN2+PWB+TOP	
	59	QUQ910-1607BJ	FFC WIRE	1		
	60	LV31686-001A	LED.BOX	1	FS-SD5/SD7	
		LV31686-002A	LED BOX	1	FS-SD9	
	61	LV41521-001A	LED COVER	1	ABS	
	62	LV31704-001A	IC HOLDER	1	AL T2	
	63	QYSBSF3010Z	SCREW	2	IC+IC HOLDER	
	64	LV31849-001A	HEAT SINK2	1	AL T2	
	65	QYSBSF3010Z	SCREW	2		
	66	LV31705-002A	HEAT SINK	1	AL	
	67	LV31850-001A	HEAT SINK3	1	AL T2	
	68	QYSBSF3010Z	SCREW	2		
	69	QYSBSF3008Z	SCREW	2	IC HOLDER+H.SIN	
	70	LV10330-002A	SIDE PANEL(L)	1	FS-SD9	
		LV10330-001A	SIDE PANEL(L)	1	FS-SD5/SD7	
	71	QYSSST3006Z	SCREW	4		
	72	LV10331-002A	SIDE PANEL(R)	1	FS-SD9	
		LV10331-001A	SIDE PANEL(R)	1	FS-SD5/SD7	
	73	LV41832-001A	FOOT	4	SIDE PANEL	
	74	LV10332-003A	REAR PANEL	1	FS-SD5/SD7	
		LV10332-006A	REAR PANEL	1	FS-SD9	
	75	QYSDSF2608N	SCREW	5	REAR+TOP	
	76	QYSDSG3008N	T.SCREW	7	REAR+JACK	
	77	QYSDSG3008N	T.SCREW	3	REAR+BOTTOM	
△	78	LV32005-006A	NAME PLATE	1	FS-SD9	
		LV31706-006A	NAME PLATE	1	FS-SD5	
		LV32004-006A	NAME PLATE	1	FS-SD7	
	80	QYSDSF2608Z	SCREW	7	CD CHASSIS+TOP	

■ Parts list (General assenbly)

Block No. M1MM

△	Item	Parts number	Parts name	Q'ty	Description	Area
	81	LV31683-005A	FUNC BTN ASSY	1	FS-SD9	
		LV31683-004A	FUNC BTN ASSY	1	FS-SD5/SD7	
	82	QYSBST3006Z	T.SCREW	4	GEAR.B+BOTTOM	
	83	QYSDSF2606Z	SCREW	2	JACK PWB+TOP	
	84	LV30064-008A	SPACER	1		
	86	QYSBST3006Z	T.SCREW	3	MOTER.B+BOTTOM.	
	87	LV30226-015A	SPACER	1		
	88	LV41826-001A	SHIELID(A)	1		
	89	LV41827-001A	SHIELD(R)	1		
	90	LV41524-001A	MAIN GEAR	1	POM	
	91	LV31689-002A	SHAFT 1	1	SUS	
	92	QYREE6000X	E RING	2		
	93	QYSPSPG3006Z	SCREW	2	SAFT 1+G.BASE	
	94	LV30064-075A	SPACER	2		
	97	QYSBST3006Z	T.SCREW	4	BOTTOM.C+TOP	
	98	QYSSST3006Z	SCREW	3	BOTTOM+FRONT.P	
△	99	QMF51E2-5R0-J1	FUSE	1	F1902	
△	100	QMF51E2-3R15-J1	FUSE	1	F1903	
△	101	QMF51E2-1R0-J1	FUSE	1	F1901	
△	102	QQT0286-004	POWER TRANSF	1	T1901	
	108	QYSBST3006Z	T.SCREW	1	BOTTOM.C+AMP PW	
	109	QYSDSF2606Z	SCREW	6	BOTTOM+G.BASE	
	110	QUQB12-0905DJ	FFC WIRE	1		
	111	QUQB12-0806CJ	FFC WIRE	1		
	112	WJM0133-001A	E-SI C WIRE C-F	1		
	113	QUQB12-1805DJ	FFC WIRE	1		
	115	LV41772-001A	CAUTION LABEL	1	REAR PANEL	
	116	LV31865-001A	HOLDER	1	S1901	
	117	QYSBSF3008Z	SCREW	1	S1901	

■ Electrical parts list (Main board)

Block No. 01

△	Item	Parts number	Parts name	Remarks	Area
	C 1	NCB21HK-223X	C CAPACITOR		
	C 2	NCB21HK-102X	C CAPACITOR		
	C 3	NCB21EK-473X	C CAPACITOR		
	C 4	NCB21HK-103X	C CAPACITOR		
	C 5	QEK41CM-106	E CAPACITOR	10MF 20% 16V	
	C 6	NCB21HK-102X	C CAPACITOR		
	C 9	NCB21HK-102X	C CAPACITOR		
	C 12	NDU21HJ-100X	C CAPACITOR		
	C 13	NCB21EK-473X	C CAPACITOR		
	C 14	NCB21HK-103X	C CAPACITOR		
	C 21	NCB21EK-473X	C CAPACITOR		
	C 30	QEK41CM-476	E.CAPACITOR	47MF 20% 16V	
	C 32	NCB21HK-102X	C CAPACITOR		
	C 33	QEK41AM-107Z	E.CAPACITOR	100MF 20% 10V	
	C 34	NCS21HJ-150X	C CAPACITOR		
	C 35	NCB21HK-102X	C CAPACITOR		
	C 36	QEK41CM-106	E CAPACITOR	10MF 20% 16V	
	C 37	NCB21EK-473X	C CAPACITOR		
	C 39	NCB21EK-473X	C CAPACITOR		
	C 40	NCB21HK-103X	C CAPACITOR		
	C 41	QEK41HM-104Z	E CAPACITOR	.10MF 20% 50V	
	C 42	QEK41HM-474	E CAPACITOR	.47MF 20% 50V	
	C 44	NCS21HJ-221X	C CAPACITOR		
	C 45	QEK41HM-335Z	E CAPACITOR	3.3MF 20% 50V	
	C 46	NCB21HK-223X	C CAPACITOR		
	C 47	NCB21HK-103X	C CAPACITOR		
	C 49	NCB21HK-183X	C CAPACITOR		
	C 50	NCB21HK-183X	C CAPACITOR		
	C 51	QETN1HM-475Z	E CAPACITOR	4.7MF 20% 50V	
	C 52	QETN1HM-475Z	E CAPACITOR	4.7MF 20% 50V	
	C 60	QEK41AM-107Z	E.CAPACITOR	100MF 20% 10V	
	C 61	NCS21HJ-120X	C CAPACITOR		
	C 62	NCS21HJ-120X	C CAPACITOR		
	C 63	NCB21EK-473X	C CAPACITOR		
	C 65	NCB21HK-102X	C CAPACITOR		
	C 66	NCS21HJ-151X	C CAPACITOR		
	C 69	QEK41HM-225Z	E CAPACITOR	2.2MF 20% 50V	
	C 70	NCB21HK-392X	C CAPACITOR		
	C 71	QEK41HM-335Z	E CAPACITOR	3.3MF 20% 50V	
	C 72	NCB21HK-102X	C CAPACITOR		
	C 91	NCB21HK-103X	C CAPACITOR		
	CF 1	QAX0419-001Z	C FILTER	FM IF	
	CF 2	QAX0419-001Z	C FILTER	FM IF	
	CF 3	QAX0418-001Z	C FILTER		
	CF 4	QAX0409-001	CERA LOCK		
	CN101	QGF1201F3-08	CONNECTOR	TO.FUNC.	
	CN102	QGA2501C1-06	6P CONNECTOR	TO.PO.	
	CN103	QGB1216J1-08S	CONNECTOR	TO.FRONT	
	CN104	QGF1201F3-09	CONNECTOR	TO.MICOM	
	CN105	QGF1201F3-18	CONNECTOR	TO.MICOM	
	CN106	QGA2501C1-02	2P CONNECTOR	TO.MOTOR	
	CN181	QGA2001C1-02	PLUG ASSY		
△	CN191	QGA7901C1-04	CONNECTOR	PRI.	
	CN192	QGA3901C1-04	4P CONNECTOR	SEC.	
△	CN193	QGA2501C1-07	7P CONNECTOR	TO.PO.	
	CN301	QGA2501F1-04	CONNECTOR	FROM SP.JACK	
	CN801	QGB1216K1-08S	CONNECTOR	TO AMP/TUNER	
	CN802	QGB1216K1-14S	CONNECTOR	TO MICON/CD	
	CN803	QGA2001C1-02	PLUG ASSY	TO BACK LIGHT	
	C1101	QFN31HJ-562Z	M CAPACITOR	MPX	
	C1102	QFVJ1HJ-224Z	MF CAPACITOR	FS-SD7/SD9	
	C1102	QFVJ1HJ-154Z	MF CAPACITOR	FS-SD5	
	C1103	QFN31HJ-823Z	MYLAR CAPACITOR	FS-SD5	

△	Item	Parts number	Parts name	Remarks	Area
	C1103	QFN31HJ-563Z	MYLAR CAPACIROE	FS-SD7	
	C1103	QFVJ1HJ-563Z	MF CAPACITOR	FS-SD9	
	C1104	QFVJ1HJ-563Z	MF CAPACITOR	FS-SD9	
	C1104	QFN31HJ-563Z	MYLAR CAPACIROE	FS-SD7	
	C1104	QFN31HJ-823Z	MYLAR CAPACITOR	FS-SD5	
	C1105	QTE1C06-476Z	E CAPACITOR	AHB	
	C1106	QTE1C06-226Z	E CAPACITOR	AHB	
	C1107	QETN1HM-475Z	E CAPACITOR	HP	
	C1108	NCS21HJ-151X	C CAPACITOR	HP	
	C1109	NCS21HJ-222X	C CAPACITOR	HP	
	C1110	NCS21HJ-102X	C CAPACITOR		
	C1201	QFN31HJ-562Z	M CAPACITOR	MPX	
	C1202	QFVJ1HJ-224Z	MF CAPACITOR	FS-SD7/SD9	
	C1202	QFVJ1HJ-154Z	MF CAPACITOR	FS-SD5	
	C1203	QFN31HJ-823Z	MYLAR CAPACITOR	FS-SD5	
	C1203	QFN31HJ-563Z	MF CAPACITOR	FS-SD7	
	C1203	QFVJ1HJ-563Z	MF CAPACITOR	FS-SD9	
	C1204	QFVJ1HJ-563Z	MF CAPACITOR	FS-SD9	
	C1204	QFN31HJ-563Z	MYLAR CAPACIROE	FS-SD7	
	C1204	QFN31HJ-823Z	MF CAPACITOR	FS-SD5	
	C1205	QTE1C06-476Z	E CAPACITOR	AHB	
	C1206	QTE1C06-226Z	E CAPACITOR	AHB	
	C1207	QETN1HM-475Z	E CAPACITOR	HP	
	C1208	NCS21HJ-151X	C CAPACITOR	HP	
	C1209	NCS21HJ-222X	C CAPACITOR	HP	
	C1210	NCS21HJ-102X	C CAPACITOR		
	C1301	QETN1EM-106Z	E CAPACITOR	AHB	
	C1302	QETN1EM-476Z	E CAPACITOR	AHB	
	C1303	QTE1E06-476Z	E CAPACITOR	FS-SD9	
	C1303	QTE1C06-226Z	AL E.CAPACITOR	FS-SD5/SD7	
	C1304	QETN1HM-105Z	E CAPACITOR	AHB	
	C1305	QETN1VM-107Z	E CAPACITOR	HP	
	C1306	QETN1CM-476Z	E CAPACITOR	HP	
	C1307	QETN1HM-106Z	E CAPACITOR	HP.MUTE.D	
	C1308	QETN1HM-106Z	E CAPACITOR	S.MUTE.D	
	C1309	QCBB1HK-101Y	C CAPACITOR	100PF 10% 50V	
	C1310	QCBB1HK-101Y	C CAPACITOR	100PF 10% 50V	
	C1801	QETN1HM-106Z	E CAPACITOR	M.DRIVE	
	C1802	QETN1VM-107Z	E CAPACITOR	M.DRIVE	
	C1803	QCZ0205-155Z	ML C CAPACITOR	M.DRIVE	
△	C1901	QFVJ1HJ-104Z	MF CAPACITOR	HV	
△	C1902	QFVJ1HJ-104Z	MF CAPACITOR	HV	
△	C1903	QFVJ1HJ-104Z	MF CAPACITOR	HV	
△	C1904	QFVJ1HJ-104Z	MF CAPACITOR	HV	
△	C1905	QFVJ1HJ-104Z	MF CAPACITOR	LV	
△	C1906	QFVJ1HJ-104Z	MF CAPACITOR	LV	
△	C1907	QFVJ1HJ-104Z	MF CAPACITOR	LV	
△	C1908	QFVJ1HJ-104Z	MF CAPACITOR	LV	
△	C1910	QETM1EM-828	E CAPACITOR	HV	
△	C1911	QETM1EM-688	E CAPACITOR	LV	
	C1912	NCS21HJ-221X	C CAPACITOR	SW10	
	C1913	NCB21HK-103X	C CAPACITOR	SW10	
	C1914	QETN1HM-476Z	E CAPACITOR	SW10	
	C1915	QETN1CM-107Z	E CAPACITOR	L.FIL	
	C1916	NCS21HJ-221X	C CAPACITOR	CD6.5	
	C1917	NCB21HK-103X	C CAPACITOR	CD6.5	
	C1918	QTE1E06-476Z	E CAPACITOR	CD6.5	
	C1919	QETN1CM-106Z	E CAPACITOR	BL7	
	C1920	QETN1EM-226Z	E CAPACITOR	BL7	
	C1921	QFVJ1HJ-104Z	MF CAPACITOR	US5	
	C1922	QETN1EM-106Z	E CAPACITOR	US5	
	C1923	QETN1HM-475Z	E CAPACITOR	TU5	
	C1924	QETN1CM-107Z	E CAPACITOR	TU5	

■ Electrical parts list (Main board)

Block No. 01

△	Item	Parts number	Parts name	Remarks	Area	△	Item	Parts number	Parts name	Remarks	Area
	C1925	QFZ0160-223Z	PP CAPA IM	FS-SD9			D3303	1SS133-T2	SI DIODE	AHB NF	
	C1925	QFN31HJ-103Z	M.M.CAPACITOR	FS-SD5/SD7			D8001	SPR-39MVWF	LED	POWER/STANDBY	
△	C1926	QCBB1HK-103Y	C CAPACITOR	LV			D8002	1SS133-T2	SI DIODE		
△	C1927	QCBB1HK-103Y	C CAPACITOR	HV			D8021	TLYH156P/ST/	LED	FS-SD9	
	C1928	QCBB1HK-103Y	C CAPACITOR	.010MF 10% 50V			D8021	SELU1E50CM	LED	FS-SD5/SD7	
	C1929	NCB21HK-103X	C CAPACITOR				D8022	SELU1E50CM	LED	FS-SD5/SD7	
	C3101	QTE1V06-106Z	E CAPACITOR	IN			D8022	TLYH156P/ST/	LED	FS-SD9	
	C3102	QDGB1HK-102Y	C CAPACITOR	IN			D8025	MTZJ10C-T2	Z DIODE	FS-SD5/SD7	
	C3103	QCBB1HK-104Y	TF CAPACITOR	OUT			D8031	TLYH156P/ST/	LED	FS-SD9	
	C3104	QCBB1HK-104Y	TF CAPACITOR	OUT			D8031	SELU1E56BM	LED	FS-SD5/SD7	
	C3201	QTE1V06-106Z	E CAPACITOR	IN			D8032	SELU1E56BM	L.E.D	FS-SD5/SD7	
	C3202	QDGB1HK-102Y	C CAPACITOR	IN			D8032	TLYH156P/ST/	LED	FS-SD9	
	C3203	QCBB1HK-104Y	TF CAPACITOR	OUT			D8035	MA3100/M-X	ZENER DIODE	FS-SD5/SD7	
	C3204	QCBB1HK-104Y	TF CAPACITOR	OUT			EP131	QNZ0136-001Z	EARTH PLATE		
	C3301	QETN1CM-106Z	E CAPACITOR	BEEP			IC 1	TA2057N	IC		
	C3302	NCS21HJ-152X	C CAPACITOR				IC 2	LC72136N	IC		
	C3303	QCBB1HK-104Y	TF CAPACITOR	FS-SD9			IC101	NJM4580DD	IC	AHB	
	C3303	QCBB1HK-103Y	CER.CAPACITOR-S	FS-SD5/SD7			IC102	BA15218F-XE	IC	HP	
	C3304	QETN1HM-105Z	E CAPACITOR	1.0MF 20% 50V			IC108	TA8409F-W	IC	M.DRIVE	
	C3306	QTE1E06-476Z	E CAPACITOR	FS-SD9			IC191	UPC78L05J-T	IC	USS	
	C3306	QTE1V28-107Z	AL E.CAPACITOR	FS-SD5/SD7		△	IC301	LA4905	IC		
	C3308	QETN1CM-336Z	E CAPACITOR	ON.TIME		△	IC801	GP1U271X	RM RECIVER		
	C3309	QETN1HM-105Z	E CAPACITOR	AHB NF			J 1	QNB0014-001	ANT TERMINAL	AM/FM ANT COAX	
	C3310	QETN1HM-105Z	E CAPACITOR	AHB NF		△	J1901	QNC0030-001	AC INLET		
	C3311	QCBB1HK-473Y	C CAPACITOR	AHB NF			J3001	QNB0092-001	SPK TERMINAL		
	C3312	QCBB1HK-473Y	C CAPACITOR	AHB NF			J8301	QNS0162-001	JACK	HP.JACK	
	C8001	NCB21HK-103X	C CAPACITOR				K1801	QQR0779-001Z	INDUCTOR		
	C8002	QER41AM-107	E CAPACITOR	100MF 20% 10V			K8301	QQR0601-001Z	FERRITE BEADS		
	C8003	NCB21HK-223X	C CAPACITOR				L 1	QQR0796-001	COIL BLOCK	MW RF/OSC	
	C8004	NCS21HJ-101X	C CAPACITOR				L 4	QQL231K-221Y	INDUCTOR		
	C8101	QER41AM-227	E.CAPA. I.M	220MF 20% 10V			LF111	QQR0590-001	FILTER	MPX.FILTER	
	C8102	NCB21HK-103X	C CAPACITOR				LF121	QQR0590-001	FILTER	MPX.FILTER	
	C8201	QER41AM-227	E.CAPA. I.M	220MF 20% 10V		△	LF191	QQR1145-001	LINE FILTER	EXCEPT J	
	C8202	NCB21HK-103X	C CAPACITOR				L1801	QQL25CK-221Z	INDUCTOR	M.DRIVER	
	D 1	1SS133-T2	SI DIODE				L8101	QQL231K-470Y	INDUCTOR		
	D 2	1SS133-T2	SI DIODE				L8201	QQL231K-470Y	INDUCTOR		
	D 3	1SS133-T2	SI DIODE				PP101	QZW0038-001	WIRE CLAMP		
	D 4	1SS133-T2	SI DIODE				PP102	QZW0038-001	WIRE CLAMP		
	DI801	QLD0120-001	LCD				PP103	QZW0038-001	WIRE CLAMP		
	D1301	1SS133-T2	SI DIODE	AHB			PP104	QZW0038-001	WIRE CLAMP		
	D1302	MTZJ5.1A-T2	ZENER DIODE	AHB			Q 1	2SC2668/O-T	TRANSISTOR		
	D1303	1SS133-T2	SI DIODE	AHB			Q 6	DTA114YKA-X	TRANSISTOR		
	D1304	1SS133-T2	SI DIODE	HP.MUTE			Q 7	2SA1037AK/R/-X	TRANSISTOR		
	D1305	1SS133-T2	SI DIODE	S.MUTE			Q 8	2SA1037AK/R/-X	TRANSISTOR		
	D1801	DSK10C-T1	DIODE	M.DRIV			Q1101	2SD2114K/VW/-X	CHIP TR.C.M	AHB	
△	D1901	D5SBA20-S1	SI DIODE	HV			Q1102	2SC2412K/R/-X	TRANSISTOR	HP.MUTE	
△	D1902	D3SBA20-S1	DIODE	LV			Q1201	2SD2114K/VW/-X	CHIP TR.C.M	AHB	
	D1903	1SS133-T2	SI DIODE	SW10			Q1202	2SC2412K/R/-X	TRANSISTOR	HP.MUTE	
	D1904	MTZJ5.6C-T2	ZENER DIODE	SW10			Q1301	DTA123EKA-X	DIGITAL.TR	S.MUTE.D	
	D1905	MTZJ10A-T2	ZENER DIODE	SW10			Q1302	DTA123EKA-X	DIGITAL.TR	HP.MUTE.D	
	D1906	MTZJ11A-T2	Z.DIODE I.M	L.FIL			Q1801	2SC2412K/R/-X	TRANSISTOR	M.DRIV	
	D1907	1SS133-T2	SI DIODE	L.FIL		△	Q1901	2SA1359/OY/	TRANSISTOR	SW10	
	D1908	1SS133-T2	SI DIODE	CD6.5			Q1902	2SC2412K/R/-X	TRANSISTOR	SW10	
	D1909	MTZJ6.8B-T2	NER DIODE	CD6.5			Q1903	2SC2412K/R/-X	TRANSISTOR	SW10	
	D1910	6A10E2	SI DIODE	LV			Q1904	2SA1037AK/R/-X	TRANSISTOR	SW10	
	D1911	MTZJ6.8A-T2	ZENER DIODE	BL7			Q1905	DTA144TKA-X	TRANSISTOR	SW10	
△	D1912	MTZJ10A-T2	ZENER DIODE	BL7			Q1906	DTC144TKA-X	TRANSISTOR	SW10	
△	D1913	MTZJ6.8B-T2	NER DIODE	USSV			Q1907	2SD2144S/VW/-T	TRANSISTOR	L.FIL	
	D1914	MTZJ3.9B-T2	Z DIODE IM	TU5		△	Q1908	2SA1359/OY/	TRANSISTOR	CD6.5	
	D1915	1SS133-T2	SI DIODE	TU5			Q1909	2SC2412K/R/-X	TRANSISTOR	CD6.5	
	D1916	1SS133-T2	SI DIODE	TU5			Q1910	2SC2412K/R/-X	TRANSISTOR	CD6.5	
	D1917	1SS133-T2	SI DIODE			△	Q1912	2SA1175/FE/-T	TRANSISTOR	BL7	
	D3302	1SS133-T2	SI DIODE	AHB NF			Q1913	2SC2412K/R/-X	TRANSISTOR	BL7	

■ Electrical parts list (Main board)

Block No. 01

△	Item	Parts number	Parts name	Remarks	Area
	Q1914	2SA1037AK/R/-X	TRANSISTOR	TU5	
	Q1915	2SC2412K/R/-X	TRANSISTOR	TU5	
	Q3101	2SD2114K/VW/-X	CHIP TR.C.M	S.MUTE	
	Q3201	2SD2114K/VW/-X	CHIP TR.C.M	S.MUTE	
	Q3301	DTA143TKA-X	TRANSISTOR	S.MUTE BUFF	
	Q8001	DTC114TKA-X	TRANSISTOR		
	Q8002	DTC114EKA-X	TR		
	Q8003	DTA114EKA-X	DIGITAL.TRANSIS		
	Q8101	2SD2114K/VW/-X	CHIP TR.C.M		
	Q8201	2SD2114K/VW/-X	CHIP TR.C.M		
	R 1	NRSA02J-102X	MG RESISTOR		
	R 2	NRSA02J-821X	MG RESISTOR		
	R 12	NRSA02J-102X	MG RESISTOR		
	R 13	NRSA02J-104X	MG RESISTOR		
	R 20	NRSA02J-331X	MG RESISTOR		
	R 21	NRSA02J-224X	MG RESISTOR		
	R 22	NRSA02J-331X	MG RESISTOR		
	R 23	NRSA02J-270X	MG RESISTOR		
	R 24	NRSA02J-271X	MG RESISTOR		
	R 25	NRSA02J-473X	MG RESISTOR		
	R 27	NRSA02J-223X	MG RESISTOR		
	R 29	NRSA02J-473X	MG RESISTOR		
	R 30	NRSA02J-103X	MG RESISTOR		
	R 31	NRSA02J-103X	MG RESISTOR		
	R 32	NRSA02J-473X	MG RESISTOR		
	R 34	NRSA02J-333X	MG RESISTOR		
	R 35	NRSA02J-333X	MG RESISTOR		
	R 36	NRSA02J-103X	MG RESISTOR		
	R 37	NRSA02J-472X	MG RESISTOR		
	R 38	NRSA02J-392X	MG RESISTOR		
	R 39	NRSA02J-392X	MG RESISTOR		
	R 42	NRSA02J-102X	MG RESISTOR		
	R 43	NRSA02J-102X	MG RESISTOR		
	R 44	NRSA02J-102X	MG RESISTOR		
	R 45	NRSA02J-102X	MG RESISTOR		
	R 46	NRSA02J-473X	MG RESISTOR		
	R 48	NRSA02J-102X	MG RESISTOR		
	R 52	NRSA02J-472X	MG RESISTOR		
	R 54	NRSA02J-472X	MG RESISTOR		
	R 55	NRSA02J-182X	MG RESISTOR		
	R 56	NRSA02J-332X	MG RESISTOR		
	R 57	NRSA02J-102X	MG RESISTOR		
	R 66	NRSA02J-222X	MG RESISTOR		
	R 68	NRSA02J-223X	MG RESISTOR		
	R 69	NRSA02J-222X	MG RESISTOR		
△	RY191	QSK0116-001	RELAY		
	R1101	NRSA02J-122X	MG RESISTOR	TU	
	R1102	NRSA02J-562X	MG RESISTOR	TU	
	R1103	NRSA02J-103X	MG RESISTOR	AHB	
	R1104	NRSA02J-332X	MG RESISTOR	LPF	
	R1105	NRSA02J-272X	MG RESISTOR	FS-SD7/SD9	
	R1105	NRSA02J-392X	MG RESISTOR	FS-SD5	
	R1106	NRSA02J-152X	M.G.RESISTOR	FS-SD5	
	R1106	NRSA02J-392X	MG RESISTOR	FS-SD7/SD9	
	R1107	NRSA02J-153X	MG RESISTOR	AHB	
	R1108	NRSA02J-302X	MG RESISTOR	FS-SD5	
	R1108	NRSA02J-432X	MG RESISTOR	FS-SD7/SD9	
	R1109	NRSA02J-153X	MG RESISTOR	AHB	
	R1110	NRSA02J-224X	MG RESISTOR	FS-SD7/SD9	
	R1110	NRSA02J-184X	MG RESISTOR	FS-SD5	
	R1111	NRSA02J-103X	MG RESISTOR	AHB	
	R1112	NRSA02J-332X	MG RESISTOR	HP	
	R1113	NRSA02J-563X	MG RESISTOR	HP	

△	Item	Parts number	Parts name	Remarks	Area
	R1114	NRSA02J-102X	MG RESISTOR	HP	
	R1115	NRSA02J-561X	MG RESISTOR	HP	
	R1116	NRSA02J-222X	MG RESISTOR	HP.MUTE	
	R1201	NRSA02J-122X	MG RESISTOR	TU	
	R1202	NRSA02J-562X	MG RESISTOR	TU	
	R1203	NRSA02J-103X	MG RESISTOR	AHB	
	R1204	NRSA02J-332X	MG RESISTOR	LPF	
	R1205	NRSA02J-272X	MG RESISTOR	FS-SD7/SD9	
	R1205	NRSA02J-392X	MG RESISTOR	FS-SD5	
	R1206	NRSA02J-152X	M.G.RESISTOR	FS-SD5	
	R1206	NRSA02J-392X	MG RESISTOR	FS-SD7/SD9	
	R1207	NRSA02J-153X	MG RESISTOR	AHB	
	R1208	NRSA02J-302X	MG RESISTOR	FS-SD5	
	R1208	NRSA02J-432X	MG RESISTOR	FS-SD7/SD9	
	R1209	NRSA02J-153X	MG RESISTOR	AHB	
	R1210	NRSA02J-224X	MG RESISTOR	FS-SD7/SD9	
	R1210	NRSA02J-184X	MG RESISTOR	FS-SD5	
	R1211	NRSA02J-103X	MG RESISTOR	AHB	
	R1212	NRSA02J-332X	MG RESISTOR	HP	
	R1213	NRSA02J-563X	MG RESISTOR	HP	
	R1214	NRSA02J-102X	MG RESISTOR	HP	
	R1215	NRSA02J-561X	MG RESISTOR	HP	
	R1216	NRSA02J-222X	MG RESISTOR	HP.MUTE	
	R1301	NRSA02J-513X	MG RESISTOR	AHB	
	R1302	NRSA02J-471X	MG RESISTOR	AHB	
	R1303	NRSA02J-102X	MG RESISTOR	AHB	
	R1304	NRSA02J-224X	MG RESISTOR	FS-SD7/SD9	
	R1304	NRSA02J-154X	MG RESISTOR	FS-SD5	
	R1305	NRSA02J-124X	MG RESISTOR	AHB	
	R1306	NRSA02J-513X	MG RESISTOR	FS-SD5	
	R1306	NRSA02J-563X	MG RESISTOR	FS-SD7/SD9	
	R1307	NRSA02J-912X	MG RESISTOR	HP	
	R1308	NRSA02J-103X	MG RESISTOR	HP	
	R1309	NRSA02J-100X	MG RESISTOR	HP	
	R1310	NRSA02J-102X	MG RESISTOR	HP.MUTE.D	
	R1311	NRSA02J-102X	MG RESISTOR	S.MUTE.D	
	R1312	NRSA02J-471X	MG RESISTOR		
	R1313	NRSA02J-471X	MG RESISTOR		
	R1801	NRSA02J-471X	MG RESISTOR	M.DRIVER	
	R1802	NRSA02J-153X	MG RESISTOR	M.DRIVER	
	R1803	NRSA02J-473X	MG RESISTOR	M.DRIVER	
	R1804	NRSA02J-100X	MG RESISTOR	M.DRIVER	
	R1805	NRSA02J-100X	MG RESISTOR	M.DRIVER	
	R1806	NRSA02J-183X	MG RESISTOR	M.DRIVER	
	R1807	NRSA02J-471X	MG RESISTOR		
	R1808	NRSA02J-471X	MG RESISTOR		
△	R1902	NRSA02J-1R0X	MG RESISTOR	SW10	
△	R1903	NRSA02J-1R0X	MG RESISTOR	SW10	
△	R1904	NRSA02J-1R0X	MG RESISTOR	SW10	
	R1905	NRSA02J-151X	MG RESISTOR	SW10	
	R1906	NRSA02J-102X	MG RESISTOR	SW10	
△	R1907	NRSA02J-102X	MG RESISTOR	SW10	
△	R1908	NRSA02J-102X	MG RESISTOR	SW10	
△	R1909	NRSA02J-102X	MG RESISTOR	SW10	
	R1910	NRSA02J-472X	MG RESISTOR	SW10	
	R1911	NRSA02J-471X	MG RESISTOR	SW10	
	R1912	NRSA02J-561X	MG RESISTOR	SW10	
	R1913	NRSA02J-272X	MG RESISTOR	SW10	
	R1914	NRSA02J-471X	MG RESISTOR	SW10	
	R1915	NRSA02J-822X	MG RESISTOR	SW10	
	R1916	NRSA02J-102X	MG RESISTOR	SW10	
	R1917	NRSA02J-122X	MG RESISTOR	SW10	
	R1918	NRSA02J-153X	MG RESISTOR	SW10	

■ Electrical parts list (Main board)

Block No. 01

△	Item	Parts number	Parts name	Remarks	Area
	R1919	NRSA02J-512X	MG RESISTOR	SW10	
	R1920	NRSA02J-102X	MG RESISTOR	R.FIL	
△	R1921	QRZ9006-4R7X	F RESISTOR	BL7	
△	R1922	QRZ9006-4R7X	F RESISTOR	US5V	
△	R1923	QRZ9006-4R7X	F RESISTOR	TO.MICOM+B	
	R1924	NRSA02J-103X	MG RESISTOR	CD6.5	
	R1925	NRSA02J-561X	MG RESISTOR	BL7	
	R1926	NRSA02J-123X	MG RESISTOR	BL7	
	R1927	NRSA02J-103X	MG RESISTOR	BL7	
	R1928	NRSA02J-122X	MG RESISTOR	TU5	
	R1929	NRSA02J-273X	MG RESISTOR	TU5	
	R1930	NRSA02J-102X	MG RESISTOR	TU5	
	R1931	NRSA02J-390X	MG RESISTOR	TU5	
△	R1932	NRSA02J-331X	MG RESISTOR	CD6.5	
	R1933	NRSA02J-681X	MG RESISTOR	CD6.5	
	R1934	NRSA02J-152X	MG RESISTOR	CD6.5	
	R1935	NRSA02J-272X	MG RESISTOR	CD6.5	
	R1936	NRSA02J-151X	MG RESISTOR	CD6.5	
△	R1937	NRSA02J-562X	MG RESISTOR		
△	R1938	NRSA02J-102X	MG RESISTOR		
	R3101	QRE141J-562Y	C RESISTOR	FS-SD5	
	R3101	QRE141J-432Y	C RESISTOR	FS-SD7/SD9	
	R3102	QRE141J-682Y	C RESISTOR	FS-SD5	
	R3102	QRE141J-103Y	C RESISTOR	FS-SD7/SD9	
	R3103	QRE141J-2R2Y	C RESISTOR	OUT	
	R3104	QRE141J-2R2Y	C RESISTOR	OUT	
	R3105	NRSA02J-223X	MG RESISTOR	AHB NF	
	R3106	NRSA02J-223X	MG RESISTOR	AHB NF	
	R3107	QRE141J-222Y	C RESISTOR	S.MUTE	
	R3201	QRE141J-562Y	C RESISTOR	FS-SD5	
	R3201	QRE141J-432Y	C RESISTOR	FS-SD7/SD9	
	R3202	QRE141J-682Y	C RESISTOR	FS-SD5	
	R3202	QRE141J-103Y	C RESISTOR	FS-SD7/SD9	
	R3203	QRE141J-2R2Y	C RESISTOR	OUT	
	R3204	QRE141J-2R2Y	C RESISTOR	OUT	
	R3205	NRSA02J-223X	MG RESISTOR	AHB NF	
	R3206	NRSA02J-223X	MG RESISTOR	AHB NF	
	R3207	QRE141J-222Y	C RESISTOR	S.MUTE	
	R3303	QRE141J-103Y	C RESISTOR	ST.BY	
	R3304	NRSA02J-682X	MG RESISTOR	AHB NF	
	R3305	NRSA02J-682X	MG RESISTOR	AHB NF	
	R8001	NRSA02J-102X	MG RESISTOR		
	R8002	NRSA02J-123X	MG RESISTOR		
	R8003	NRSA02J-331X	MG RESISTOR		
	R8004	NRSA02J-331X	MG RESISTOR		
	R8005	NRSA02J-561X	MG RESISTOR		
	R8007	NRSA02J-432X	MG RESISTOR		
	R8010	NRSA02J-104X	MG RESISTOR		
	R8021	NRSA02J-101X	MG RESISTOR	FS-SD5/SD7	
	R8021	NRSA02J-391X	MG RESISTOR	FS-SD9	
	R8022	NRSA02J-101X	MG RESISTOR	FS-SD5/SD7	
	R8022	NRSA02J-391X	MG RESISTOR	FS-SD9	
	R8031	NRSA02J-431X	MG RESISTOR	FS-SD5/SD7	
	R8031	NRSA02J-561X	MG RESISTOR	FS-SD9	
	R8032	NRSA02J-561X	MG RESISTOR	FS-SD9	
	R8032	NRSA02J-431X	MG RESISTOR	FS-SD5/SD7	
	R8051	NRSA02J-101X	MG RESISTOR		
	R8052	NRSA02J-272X	MG RESISTOR		
	R8053	NRSA02J-332X	MG RESISTOR		
	R8054	NRSA02J-562X	MG RESISTOR		
	R8055	NRSA02J-123X	MG RESISTOR		
	R8056	NRSA02J-393X	MG RESISTOR		
	R8057	NRSA02J-101X	MG RESISTOR		

△	Item	Parts number	Parts name	Remarks	Area
	R8058	NRSA02J-272X	MG RESISTOR		
	R8059	NRSA02J-332X	MG RESISTOR		
	R8060	NRSA02J-562X	MG RESISTOR		
	R8061	NRSA02J-123X	MG RESISTOR		
	R8062	NRSA02J-393X	MG RESISTOR		
	R8101	NRSA02J-220X	MG RESISTOR		
	R8102	NRSA02J-222X	MG RESISTOR		
	R8103	NRSA02J-272X	MG RESISTOR		
	R8201	NRSA02J-220X	MG RESISTOR		
	R8202	NRSA02J-222X	MG RESISTOR		
	R8203	NRSA02J-272X	MG RESISTOR		
	R8301	NRSA02J-222X	MG RESISTOR		
	R8302	NRSA02J-222X	MG RESISTOR		
△	S1901	VMZ0126-003	VOLTAGE SELCTOR	U.ONLY	
	S8001	QSW0683-001Z	PUSH SW I.M	OP/CL	
	S8002	QSW0683-001Z	PUSH SW I.M	POWER	
	S8003	QSW0683-001Z	PUSH SW I.M	VOL+	
	S8004	QSW0683-001Z	PUSH SW I.M	VOL-	
	S8005	QSW0683-001Z	PUSH SW I.M	TIMER	
	S8006	QSW0683-001Z	PUSH SW I.M	CLOCK	
	S8007	QSW0683-001Z	PUSH SW I.M	UP	
	S8008	QSW0683-001Z	PUSH SW I.M	CD	
	S8009	QSW0683-001Z	PUSH SW I.M	STOP	
	S8010	QSW0683-001Z	PUSH SW I.M	DOWN	
	S8011	QSW0683-001Z	PUSH SW I.M	AHB	
	S8012	QSW0683-001Z	PUSH SW I.M	PRESET TU	
	S8013	QSW0683-001Z	PUSH SW I.M	TUNER	
	S8014	QSW0683-001Z	PUSH SW I.M	AUX	
	T 1	QQR0793-001	IFT		
	TU 1	QAU0037-001	FRONT END	FM TU	
	X 1	QAX0402-001	CRYSTAL		
△	Z1901	QNG0003-001Z	FUSE CLIP	FOR F1901	
△	Z1902	QNG0003-001Z	FUSE CLIP	FOR F1901	
△	Z1903	QNG0003-001Z	FUSE CLIP	FOR F1902	
△	Z1904	QNG0003-001Z	FUSE CLIP	FOR F1902	
△	Z1905	QNG0003-001Z	FUSE CLIP	FOR F1903	
△	Z1906	QNG0003-001Z	FUSE CLIP	FOR F1903	

■ Electrical parts list(CD board)

Block No. 02

△	Item	Parts number	Parts name	Remarks	Area
	CN501	QGF1201F3-08	CONNECTOR	TO MAIN	
	CN502	QGA2001C1-04	4P PLUG ASSY	TO TOPKEY	
	CN603	QGF1008F1-16	16PIN CONNECTOR		
	CN605	QGA2001C1-06	6P PLUG ASSY		
	CN701	QGF1201F3-09	CONNECTOR	TO AMP/TUNER	
	CN702	QGF1201F3-18	CONNECTOR	TO AMP/TUNER	
	CN703	QGA2001F1-11	11P CN RIG	TO FUNCTION	
	CN704	QGB1216J1-14S	CONNECTOR	TO LCD	
	CN705	QGA2001F1-03	CONNECTOR	TO CD DOOR DT1	
	CN706	QGA2001F1-02	2P CONNECTOR	TO DISC LED	
	CN708	QGA2001F1-02	2P CONNECTOR		
	CN804	QGA2001F1-02	2P CONNECTOR		
	C5101	QETN1HM-475Z	E CAPACITOR	LINE IN	
	C5102	QETN1HM-475Z	E CAPACITOR	TU IN	
	C5103	QTE1H06-475Z	E CAPACITOR	CD IN	
	C5104	QTE1V06-106Z	E CAPACITOR	FUC.OUT	
	C5105	QETN1CM-106Z	E CAPACITOR	LINE OUT	
	C5107	QTE1C06-226Z	E CAPACITOR	VOL OUT	
	C5108	QFN31HJ-332Z	M CAPACITOR	TRE.	
	C5109	QFVJ1HJ-154Z	MF CAPACITOR	BASS	
	C5110	QFVJ1HJ-154Z	MF CAPACITOR	BASS	
	C5111	NCS21HJ-151X	C CAPACITOR	LINE IN	
	C5112	NCB21HK-102X	C CAPACITOR	LINE OUT	
	C5201	QETN1HM-475Z	E CAPACITOR	LINE IN	
	C5202	QETN1HM-475Z	E CAPACITOR	TU IN	
	C5203	QTE1H06-475Z	E CAPACITOR	CD IN	
	C5204	QTE1V06-106Z	E CAPACITOR	FUC.OUT	
	C5205	QETN1CM-106Z	E CAPACITOR	LINE OUT	
	C5207	QTE1C06-226Z	E CAPACITOR	VOL OUT	
	C5208	QFN31HJ-332Z	M CAPACITOR	TRE.	
	C5209	QFVJ1HJ-154Z	MF CAPACITOR	BASS	
	C5210	QFVJ1HJ-154Z	MF CAPACITOR	BASS	
	C5211	NCS21HJ-151X	C CAPACITOR	LINE IN	
	C5212	NCB21HK-102X	C CAPACITOR	LINE OUT	
	C5301	QETN1CM-107Z	E CAPACITOR	VCC	
	C5302	QTE1V06-476Z	E CAPACITOR	1/2VCC	
	C5303	QETN1HM-105Z	E CAPACITOR	L/O MUTE.D	
	C5304	NCB21HK-102X	C CAPACITOR	S.W.OUT	
	C5307	NCB21HK-103X	C CAPACITOR		
	C5308	NCB21HK-103X	C CAPACITOR		
	C5309	NCB21HK-103X	C CAPACITOR		
	C5310	NCB21HK-102X	C CAPACITOR		
	C6001	QEKC0JM-107Z	E CAPACITOR	100MF 20% 6.3V	
	C6002	QEK41CM-106	E CAPACITOR	10MF 20% 16V	
	C6003	NDC21HJ-3R5X	C CAPACITOR	x-f-.TDK	
	C6005	NCS21HJ-331X	C CAPACITOR		
	C6007	NCB21HK-222X	C CAPACITOR		
	C6008	QEKC1HM-105Z	E.CAPACITOR	1.0MF 20% 50V	
	C6009	NCS21HJ-101X	C CAPACITOR		
	C6010	NCB21HK-273X	C CAPACITOR		
	C6011	NCB21HK-222X	C CAPACITOR		
	C6012	NCB21HK-103X	C CAPACITOR		
	C6014	NCB21EK-104X	C CAPACITOR		
	C6015	NCB21HK-223X	C CAPACITOR		
	C6016	NCB21HK-223X	C CAPACITOR		
	C6017	NCB21HK-223X	C CAPACITOR		
	C6018	NCB21HK-222X	C CAPACITOR		
	C6019	NCS21HJ-271X	C CAPACITOR		
	C6020	NCS21HJ-181X	C CAPACITOR		
	C6021	NCS21HJ-821X	C CAPACITOR		
	C6022	QEKC0JM-476Z	E.CAPACITOR	47MF 20% 6.3V	
	C6023	NCB21EK-104X	C CAPACITOR		
	C6028	NCB21EK-473X	C CAPACITOR		

△	Item	Parts number	Parts name	Remarks	Area
	C6029	QEKC0JM-107Z	E CAPACITOR	100MF 20% 6.3V	
	C6031	QEKC1AM-227Z	E CAPACITOR	220MF 20% 10V	
	C6032	QEKC0JM-107Z	E CAPACITOR	100MF 20% 6.3V	
	C6033	QEK41CM-106	E CAPACITOR	10MF 20% 16V	
	C6051	NDC21HJ-120X	C CAPACITOR		
	C6052	NDC21HJ-150X	C CAPACITOR		
	C6053	NCB21HK-223X	C CAPACITOR		
	C6055	NCB21EK-473X	C CAPACITOR		
	C6058	NCS21HJ-6R0X	C CAPACITOR		
	C6061	NCS21HJ-471X	C CAPACITOR		
	C6062	NCB21HK-223X	C CAPACITOR		
	C6063	NCB21HK-223X	C CAPACITOR		
	C6064	NCB21HK-223X	C CAPACITOR		
	C6065	NCB21CK-334X	C CAPACITOR		
	C6071	NCB21HK-222X	C CAPACITOR		
	C6072	NCB21HK-222X	C CAPACITOR		
	C6073	QEKC1AM-227Z	E CAPACITOR	220MF 20% 10V	
	C6075	NCB21HK-102X	C CAPACITOR		
	C6076	NCB21HK-102X	C CAPACITOR		
	C6080	QEKC1AM-227Z	E CAPACITOR	220MF 20% 10V	
	C6081	QEKC1AM-227Z	E CAPACITOR	220MF 20% 10V	
	C6083	NCB21HK-223X	C CAPACITOR		
	C6089	NCB21HK-472X	C CAPACITOR		
	C6090	NCB21HK-153X	C CAPACITOR		
	C6091	QENC1HM-105Z	NP E.CAPA 1.M	1.0MF 20% 50V	
	C6092	QENC1HM-225Z	NP E.CAPA 1.M	2.2MF 20% 50V	
	C6094	NCB21EK-104X	C CAPACITOR		
	C6096	NCS21HJ-391X	C CAPACITOR		
	C6097	NCS21HJ-391X	C CAPACITOR		
	C6098	NCS21HJ-391X	C CAPACITOR		
	C6099	NCS21HJ-391X	C CAPACITOR		
	C6154	NCS21HJ-101X	C CAPACITOR		
	C6156	NCS21HJ-151X	C CAPACITOR		
	C6157	NCS21HJ-151X	C CAPACITOR		
	C6158	NCS21HJ-151X	C CAPACITOR		
	C6159	NCB21EK-104X	C CAPACITOR		
	C6199	QCZ0205-155Z	E CAPACITOR	FS-SD5	
	C7001	NCS21HJ-180X	C CAPACITOR		
	C7002	NCS21HJ-180X	C CAPACITOR		
	C7003	NCS21HJ-390X	C CAPACITOR		
	C7004	NCS21HJ-360X	C CAPACITOR		
	C7005	NCS21HJ-220X	C CAPACITOR		
	C7006	NCS21HJ-200X	C CAPACITOR		
	C7007	NCB21HK-102X	C CAPACITOR		
	C7008	NCB21HK-102X	C CAPACITOR		
	C7009	NCB21HK-103X	C CAPACITOR		
	C7010	QEKC1AM-107Z	E.CAPACITOR	100MF 20% 10V	
	C7011	NCF21HZ-104X	C CAPACITOR		
	C7012	QEZ0229-479Z	EDL.CAPACITOR	47000MF	
	C7013	QEKC1CM-107Z	E.CAPACITOR	100MF 20% 16V	
	C7014	QFN31HJ-104Z	M CAPACITOR	.10MF 5% 50V	
	C7016	NCS21HJ-101X	C CAPACITOR		
	C7018	NCB21HK-103X	C CAPACITOR		
	C7019	QEKC1HM-225Z	E CAPACITOR	2.2MF 20% 50V	
	C7020	QEKC1HM-475Z	E.CAPACITOR	4.7MF 20% 50V	
	C7022	NCB21HK-103X	C CAPACITOR		
	C7023	QEK41CM-106	E CAPACITOR	10MF 20% 16V	
	C7024	QCBB1HK-101Y	C CAPACITOR	100PF 10% 50V	
	C7025	QCBB1HK-101Y	C CAPACITOR	100PF 10% 50V	
	D6031	MTZJ5.6C-T2	ZENER DIODE		
	D6033	1SR35-100A-T5	SI DIODE		
	D6061	1SS355-X	DIODE		
	D6062	1SS355-X	DIODE		

■ Electrical parts list (CD board)

Block No. 02

△	Item	Parts number	Parts name	Remarks	Area	△	Item	Parts number	Parts name	Remarks	Area
	D6063	1SS355-X	DIODE				R5302	NRSA02J-222X	MG RESISTOR	S.W.MUTE	
	D7001	1SS133-T2	SI DIODE				R5303	NRSA02J-473X	MG RESISTOR	S.W.OUT	
	D7002	1SS133-T2	SI DIODE				R5304	NRSA02J-102X	MG RESISTOR	S.W.OUT	
	D7003	1SS133-T2	SI DIODE				R5305	NRSA02J-1R5X	MG RESISTOR	VCC	
	D7004	1SS133-T2	SI DIODE				R6001	NRSA02J-123X	MG RESISTOR		
	D7005	1SS133-T2	SI DIODE				R6002	NRSA02J-225X	MG RESISTOR		
	D7006	1SS133-T2	SI DIODE				R6003	NRSA02J-102X	MG RESISTOR		
	D7007	MTZJ5.1C-T2	ZENER DIODE				R6005	NRSA02J-274X	MG RESISTOR		
	D7008	1SS133-T2	SI DIODE				R6006	NRSA02J-473X	MG RESISTOR		
	D7009	MTZJ8.2B-T2	DIODE				R6007	NRSA02J-273X	MG RESISTOR		
	D7010	1SS355-X	DIODE				R6008	NRSA02J-564X	MG RESISTOR		
	IC501	BD3861FS-X	IC	FUNC/VOL			R6009	NRSA02J-563X	MG RESISTOR		
	IC601	AN8806SB-W	IC				R6010	NRSA02J-104X	MG RESISTOR		
	IC602	LA6541-X	IC				R6012	NRSA02J-103X	MG RESISTOR		
	IC603	MN35510	IC				R6013	NRSA02J-121X	MG RESISTOR		
	IC701	UPD780024AGKA11	IC(MCU)				R6014	NRSA02J-100X	MG RESISTOR		
	IC702	KIA78S06P-T	IC				R6015	NRSA02J-120X	MG RESISTOR		
	J5301	QNS0047-001	JACK	LINE IN			R6016	NRSA02J-910X	MG RESISTOR		
	J5302	QNS0047-001	JACK	LINE OUT			R6021	NRSA02J-151X	MG RESISTOR		
	J5303	QNN0198-001	1PIN PINJ BLACK	S.W. OUT			R6022	NRSA02J-151X	MG RESISTOR		
	J6001	GP1FA550TZ	OPT TRANSMITTER				R6023	NRSA02J-151X	MG RESISTOR		
	K5302	QQR0779-001Z	INDUCTOR	DG			R6024	NRSA02J-154X	MG RESISTOR		
	K6051	QQR0601-001Z	FERRITE BEADS				R6025	NRSA02J-154X	MG RESISTOR		
	K7001	QQR0601-001Z	FERRITE BEADS				R6026	NRSA02J-393X	MG RESISTOR		
	L7001	QQL01BK-100Z	INDUCTOR				R6027	NRSA02J-393X	MG RESISTOR		
	L7002	QQL01BK-100Z	INDUCTOR				R6028	NRSA02J-393X	MG RESISTOR		
	Q5101	2SD2114K/VW/-X	CHIP TR.C.M	L/O MUTE			R6029	NRSA02J-393X	MG RESISTOR		
	Q5201	2SD2114K/VW/-X	CHIP TR.C.M	L/O MUTE			R6031	NRSA02J-681X	MG RESISTOR		
	Q5301	DTA114EKA-X	DIGITAL.TRANSIS	L/O MUTE.D			R6032	NRSA02J-681X	MG RESISTOR		
	Q5302	2SD2114K/VW/-X	CHIP TR.C.M	S.W.MUTE			R6040	NRSA02J-102X	MG RESISTOR		
	Q6001	2SA1037AK/R/-X	TRANSISTOR				R6041	NRSA02J-433X	MG RESISTOR		
	Q6031	2SC2060/QR/-T	TRANSISTOR				R6042	NRSA02J-472X	MG RESISTOR		
	Q7001	2SC2668/O/-T	TRANSISTOR				R6043	NRSA02J-123X	MG RESISTOR		
	Q7002	2SC2668/O/-T	TRANSISTOR				R6044	NRSA02J-683X	MG RESISTOR		
	Q7003	DTA114TKA-X	DIGITAL.TR				R6045	NRSA02J-433X	MG RESISTOR		
	Q7004	2SC2412K/R/-X	TRANSISTOR				R6046	NRSA02J-0R0X	MG RESISTOR		
	Q7006	2SC2412K/R/-X	TRANSISTOR				R6047	NRSA02J-332X	MG RESISTOR		
	Q7007	DTC114EKA-X	TR				R6048	NRSA02J-222X	MG RESISTOR		
	Q7008	DTA114EKA-X	DIGITAL.TRANSIS				R6049	NRSA02J-152X	MG RESISTOR		
	Q7009	2SA1037AK/R/-X	TRANSISTOR				R6050	NRSA02J-332X	MG RESISTOR		
	Q7010	DTC144EKA-X	TRANSISTOR				R6051	NRSA02J-102X	MG RESISTOR		
	Q7011	2SA1037AK/R/-X	TRANSISTOR				R6052	NRSA02J-102X	MG RESISTOR		
	R5101	NRSA02J-223X	MG RESISTOR	LINE IN			R6053	NRSA02J-102X	MG RESISTOR		
	R5102	NRSA02J-683X	MG RESISTOR	LINE IN			R6054	NRSA02J-102X	MG RESISTOR		
	R5103	NRSA02J-302X	MG RESISTOR	CD IN			R6056	NRSA02J-0R0X	MG RESISTOR		
	R5104	NRSA02J-182X	MG RESISTOR	FUC.OUT			R6057	NRSA02J-0R0X	MG RESISTOR		
	R5105	NRSA02J-473X	MG RESISTOR	LINE OUT			R6058	NRSA02J-0R0X	MG RESISTOR		
	R5106	NRSA02J-392X	MG RESISTOR	LINE OUT			R6059	NRSA02J-471X	MG RESISTOR		
	R5107	NRSA02J-102X	MG RESISTOR	LINE OUT			R6060	NRSA02J-471X	MG RESISTOR		
	R5108	NRSA02J-222X	MG RESISTOR	L/O MUTE			R6061	NRSA02J-104X	MG RESISTOR		
	R5109	NRSA02J-563X	MG RESISTOR	S.W.OUT			R6063	NRSA02J-124X	MG RESISTOR		
	R5110	NRSA02J-332X	MG RESISTOR	BASS			R6064	NRSA02J-681X	MG RESISTOR		
	R5201	NRSA02J-223X	MG RESISTOR	LINE IN			R6066	NRSA02J-220X	MG RESISTOR		
	R5202	NRSA02J-683X	MG RESISTOR	LINE IN			R6067	NRSA02J-220X	MG RESISTOR		
	R5203	NRSA02J-302X	MG RESISTOR	CD IN			R6068	NRSA02J-220X	MG RESISTOR		
	R5204	NRSA02J-182X	MG RESISTOR	FUC.OUT			R6069	NRSA02J-155X	MG RESISTOR		
	R5205	NRSA02J-473X	MG RESISTOR	LINE OUT			R6071	NRSA02J-102X	MG RESISTOR		
	R5206	NRSA02J-392X	MG RESISTOR	LINE OUT			R6072	NRSA02J-102X	MG RESISTOR		
	R5207	NRSA02J-102X	MG RESISTOR	LINE OUT			R6080	NRSA02J-0R0X	MG RESISTOR		
	R5208	NRSA02J-222X	MG RESISTOR	L/O MUTE			R6081	NRSA02J-0R0X	MG RESISTOR		
	R5209	NRSA02J-563X	MG RESISTOR	S.W.OUT			R6082	NRSA02J-392X	MG RESISTOR		
	R5210	NRSA02J-332X	MG RESISTOR	BASS			R6083	NRSA02J-0R0X	MG RESISTOR	FS-SD7	
	R5301	NRSA02J-223X	MG RESISTOR	L/O MUTE D			R6121	NRSA02J-151X	MG RESISTOR		

■ Electrical parts list (CD board)

Block No. 02

△	Item	Parts number	Parts name	Remarks	Area
	R6122	NRSA02J-151X	MG RESISTOR		
	R6123	NRSA02J-151X	MG RESISTOR		
	R7001	NRSA02J-822X	MG RESISTOR		
	R7002	NRSA02J-822X	MG RESISTOR		
	R7003	NRSA02J-103X	MG RESISTOR		
	R7004	NRSA02J-103X	MG RESISTOR		
	R7005	NRSA02J-331X	MG RESISTOR		
	R7006	NRSA02J-222X	MG RESISTOR		
	R7007	NRSA02J-222X	MG RESISTOR		
	R7008	NRSA02J-222X	MG RESISTOR		
	R7009	NRSA02J-222X	MG RESISTOR		
	R7010	NRSA02J-222X	MG RESISTOR		
	R7011	NRSA02J-222X	MG RESISTOR		
	R7012	NRSA02J-222X	MG RESISTOR		
	R7013	NRSA02J-102X	MG RESISTOR		
	R7014	NRSA02J-103X	MG RESISTOR		
	R7016	NRSA02J-222X	MG RESISTOR		
	R7017	NRSA02J-222X	MG RESISTOR		
	R7018	NRSA02J-0R0X	MG RESISTOR		
	R7019	NRSA02J-102X	MG RESISTOR		
	R7020	NRSA02J-222X	MG RESISTOR		
	R7021	NRSA02J-102X	MG RESISTOR		
	R7022	NRSA02J-102X	MG RESISTOR		
	R7023	NRSA02J-102X	MG RESISTOR		
	R7024	NRSA02J-102X	MG RESISTOR		
	R7025	NRSA02J-102X	MG RESISTOR		
	R7026	NRSA02J-102X	MG RESISTOR		
	R7027	NRSA02J-102X	MG RESISTOR		
	R7028	NRSA02J-222X	MG RESISTOR		
	R7029	NRSA02J-103X	MG RESISTOR		
	R7030	NRSA02J-222X	MG RESISTOR		
	R7031	NRSA02J-103X	MG RESISTOR		
	R7032	NRSA02J-222X	MG RESISTOR		
	R7033	NRSA02J-103X	MG RESISTOR		
	R7034	NRSA02J-222X	MG RESISTOR		
	R7035	NRSA02J-103X	MG RESISTOR		
	R7036	NRSA02J-222X	MG RESISTOR		
	R7037	NRSA02J-222X	MG RESISTOR		
	R7038	NRSA02J-273X	MG RESISTOR	VERSION	
	R7039	NRSA02J-562X	MG RESISTOR	VERSION	
	R7040	NRSA02J-102X	MG RESISTOR		
	R7041	NRSA02J-103X	MG RESISTOR		
	R7042	NRSA02J-103X	MG RESISTOR		
	R7043	NRSA02J-103X	MG RESISTOR		
	R7044	NRSA02J-103X	MG RESISTOR		
	R7045	NRSA02J-222X	MG RESISTOR		
	R7046	NRSA02J-222X	MG RESISTOR		
	R7048	NRSA02J-102X	MG RESISTOR		
	R7049	NRSA02J-102X	MG RESISTOR		
	R7050	NRSA02J-104X	MG RESISTOR		
	R7051	NRSA02J-473X	MG RESISTOR		
	R7052	NRSA02J-333X	MG RESISTOR		
	R7053	NRSA02J-222X	MG RESISTOR		
	R7054	NRSA02J-222X	MG RESISTOR		
	R7055	NRSA02J-222X	MG RESISTOR		
	R7056	NRSA02J-103X	MG RESISTOR		
	R7057	NRSA02J-103X	MG RESISTOR		
	R7058	NRSA02J-103X	MG RESISTOR		
	R7059	NRSA02J-103X	MG RESISTOR		
	R7060	NRSA02J-103X	MG RESISTOR		
	R7061	NRSA02J-103X	MG RESISTOR		
	R7062	NRSA02J-222X	MG RESISTOR		
	R7063	NRSA02J-222X	MG RESISTOR		

△	Item	Parts number	Parts name	Remarks	Area
	R7064	NRSA02J-471X	MG RESISTOR		
	R7065	NRSA02J-222X	MG RESISTOR		
	R7066	NRSA02J-222X	MG RESISTOR		
	R7067	NRSA02J-222X	MG RESISTOR		
	R7068	NRSA02J-222X	MG RESISTOR		
	R7069	NRSA02J-222X	MG RESISTOR		
	R7070	NRSA02J-102X	MG RESISTOR		
	R7071	NRSA02J-102X	MG RESISTOR		
	R7072	NRSA02J-222X	MG RESISTOR		
	R7073	NRSA02J-102X	MG RESISTOR		
	R7074	NRSA02J-103X	MG RESISTOR		
	R7075	NRSA02J-103X	MG RESISTOR		
	R7076	NRSA02J-103X	MG RESISTOR		
	R7077	NRSA02J-103X	MG RESISTOR		
	R7078	NRSA02J-103X	MG RESISTOR		
	R7079	NRSA02J-512X	MG RESISTOR		
	SP603	VYH7653-001	IC HOLDER	IC603 IC-HOLDER	
	SP701	VYH7653-002	IC HOLDER		
	S8021	QSW0851-001	DETECT SWITCH		
	S8022	QSW0851-001	DETECT SWITCH		
	TH701	QAD0015-103Z	THERMISTOR		
	W1801	QJK021-021502	SIN CR C-B WIRE		
	W3001	QJK002-061201	SIN CR C-B WIRE		
	W3002	QJK019-040704	SIN CR C-B WIRE		
△	W3901	QJK019-072002	SIN CR C-B WIRE		
	W5001	QJK018-110501	SIN CR C-B WIRE		
	W8001	QJK018-020502	SIN CR C-B WIRE		
	W8002	QJK018-040504	SIN CR C-B WIRE		
	W8003	QJK018-021202	SIN CR C-B WIRE		
	W8004	QJK018-030503	SIN CR C-B WIRE		
	W8005	QJK018-020502	SIN CR C-B WIRE		
	X6051	QAX0413-001Z	CRYSTAL		
	X7001	QAX0401-001	CRYSTAL		
	X7002	QAX0410-001	CERA LOCK		

Packing materials and accessories parts list

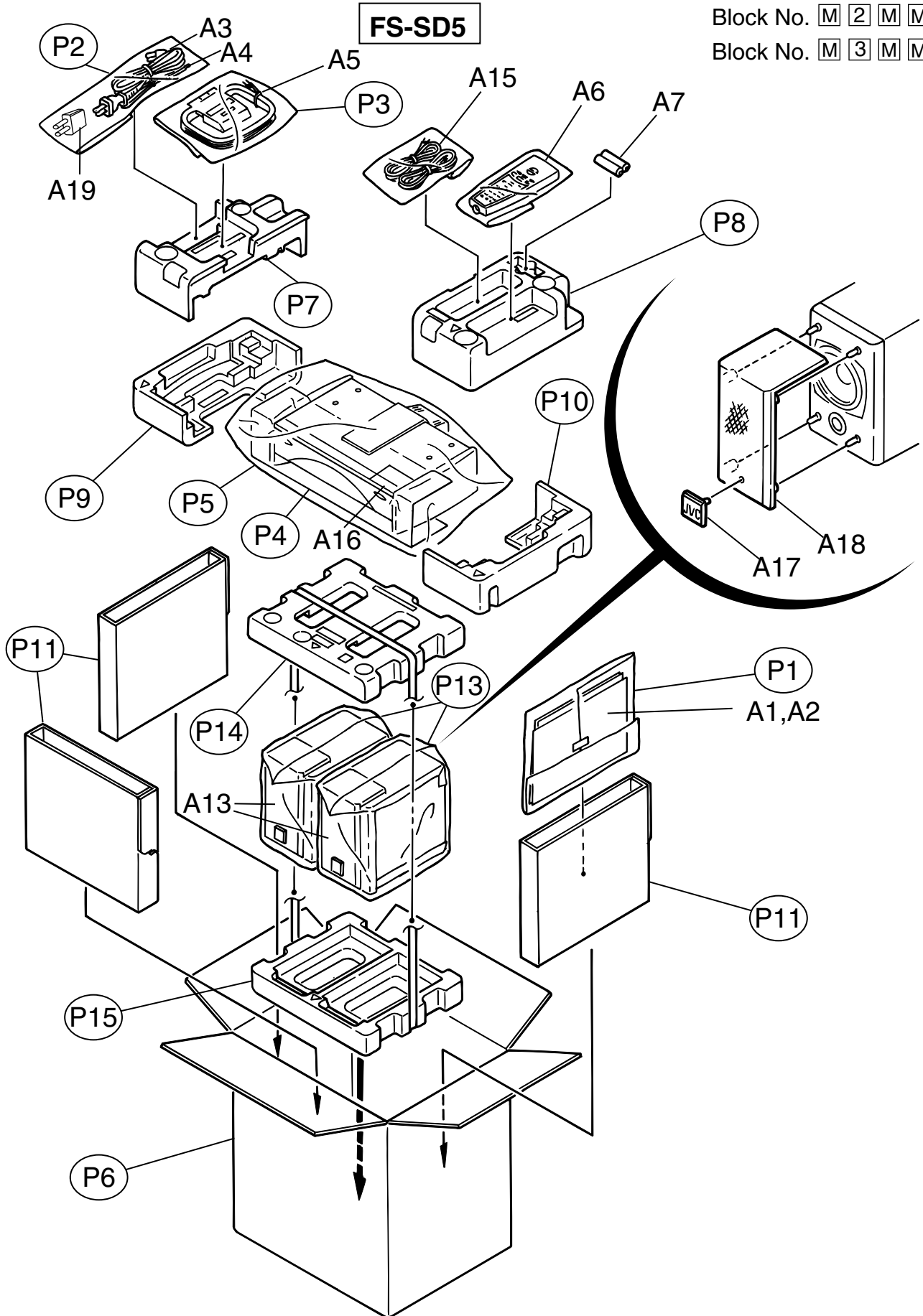
FS-SD5

Block No.

M	2	M	M
---	---	---	---

Block No.

M	3	M	M
---	---	---	---

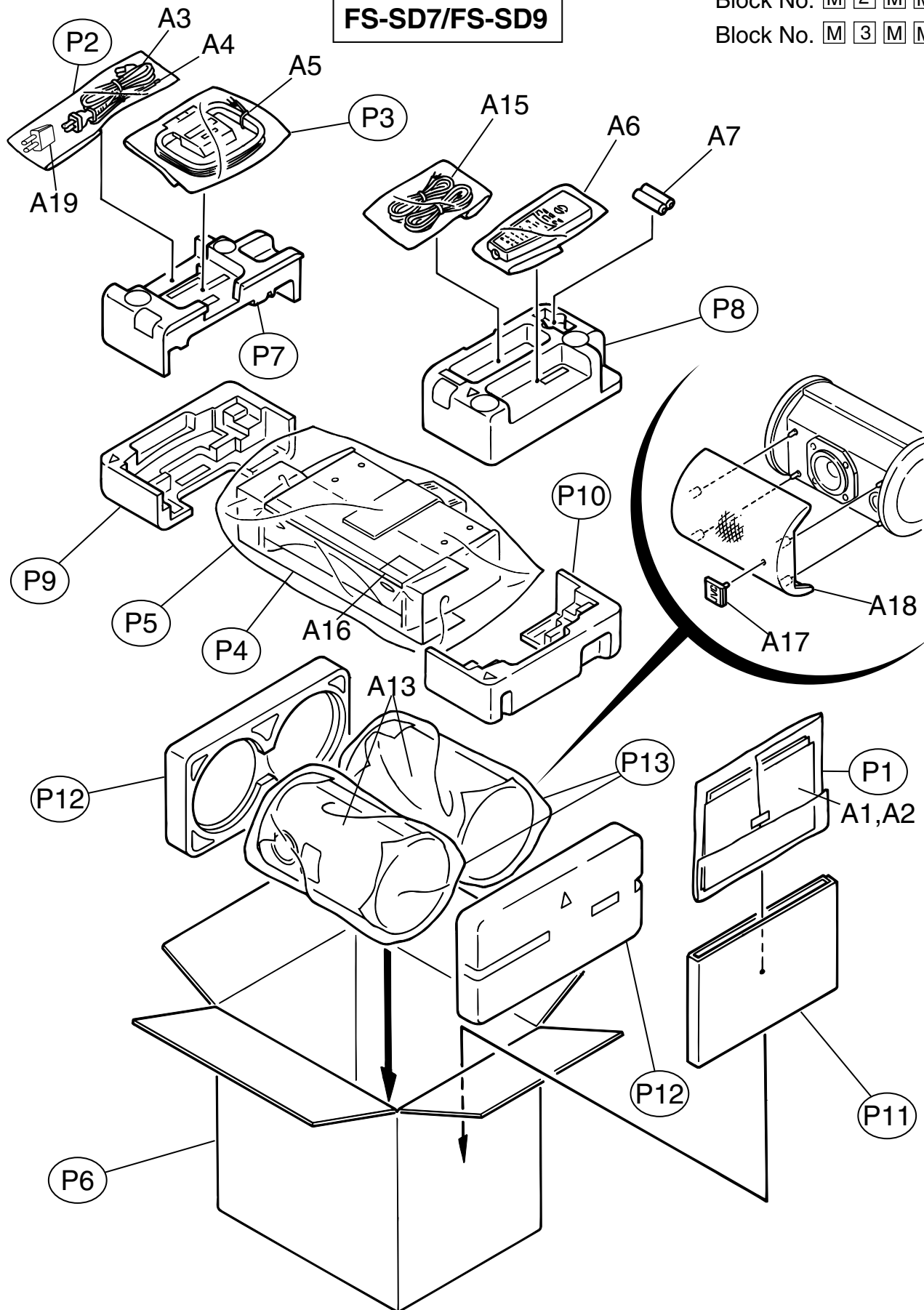


Packing materials and accessories parts list

FS-SD7/FS-SD9

Block No. M 2 M M

Block No. M 3 M M



■ Parts list (Packing)

Block No. M2MM

△	Item	Parts number	Parts name	Q'ty	Description	Area
	P 1	QPA02503503P	POLY BAG	1	FOR INST	
	P 2	QPA01503503	POLY BAG	1	FOR P.CORD	
	P 3	QPA01702503P	POLY BAG	1	FOR AM ANT	
	P 4	QPF26044015	SHEET	1		
	P 5	QPC04504515P	POLY BAG	1	FOR SET	
	P 6	LV32008-017A	PACKING CASE	1	FS-SD9	
		LV31707-007A	PACKING CASE	1	FS-SD5	
		LV32008-013A	PACKING CASE	1	FS-SD7	
	P 7	LV20760-001A	CUSHION TOP(L)	1	TOP (L)	
	P 8	LV20760-002A	CUSHION TOP(R)	1	TOP (R)	
	P 9	LV20761-001A	CUSHION BTM (L)	1	BOTTOM (L)	
	P 10	LV20761-002A	CUSHION BTM (R)	1	BOTTOM (R)	
	P 11	LV31789-002A	CARTON SPACER	3	FS-SD5	
		LV32009-002A	CARTON SPACER	1	FS-SD7/SD9	
	P 12	SD7KF0001	PACKING CUSHION	2	FS-SD7/SD9	
	P 13	SD7KO0001	POLY PACK	1	FS-SD7/SD9	
		SD5KO0001	POLY PACK	1	FS-SD5	
	P 14	SD5KF0201	CUSHION(BOTTOM)	1	FS-SD5	
	P 15	SD5KF0101	CUSHION(TOP)	1	FS-SD5	

■ Parts list (Accessories)

Block No. M3MM

△	Item	Parts number	Parts name	Q'ty	Description	Area
	A 1	LVT0418-008A	INST BOOK	1	ENG,SPA,CHI	
	A 2	LV41811-001A	FOOT ASSY	1		
△	A 3	QMP7350-150	POWER CORD	1		
	A 4	EWP503-001C	ANT.WIRE	1	FM ANT	
	A 5	QAL0014-001	AM LOOP ANT	1	AM ANT	
	A 6	RM-SFSSD9U	REMOCON UNIT	1	FS-SD9	
		RM-SFSSD7U	REMOCON UNIT	1	FS-SD5/SD7	
	A 7	-----	BATTERY	2	FOR REMOCON	
	A 13	FSSD5J-SPBOX	SPEAKER BOX	2	FS-SD5	
		FSSD9J-SPBOX	SPEAKER BOX	2	FS-SD9	
		FSSD7J-SPBOX	SPEAKER BOX	2	FS-SD7	
	A 15	QAM0293-001	SPEAKER CORD	1		
	A 16	LV41819-001A	CD CAUTION	1		
	A 17	SD5SJ0101	MARK	1		
	A 18	SD5BK0001	SPEAKER NET	1	FS-SD5	
		SD7BK0001	SPEAKER NET	1	FS-SD7/SD9	
△	A 19	QAM0027-001	SIEMENS PLUG	1		